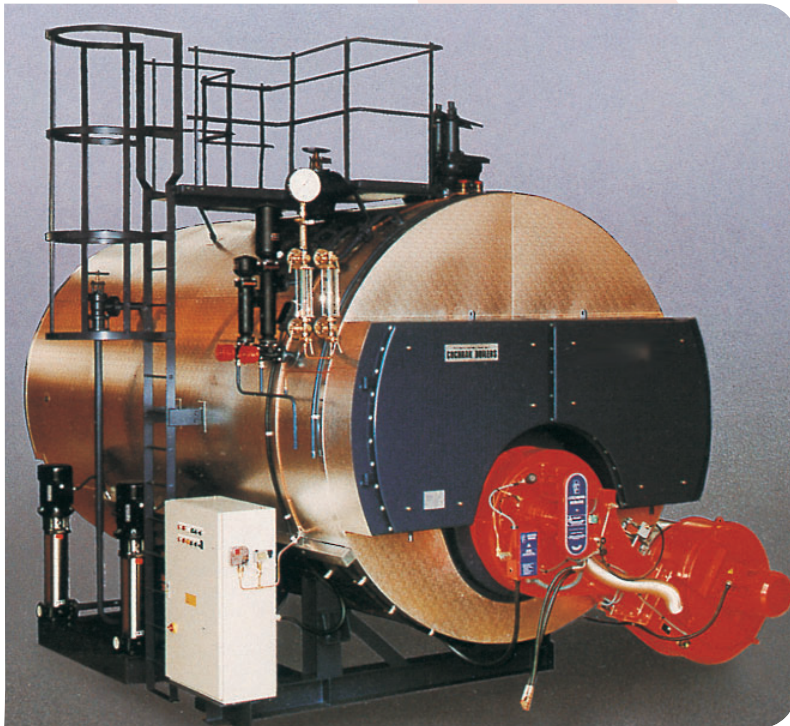




# COCHRAN

## Minster Package Steam Boiler



ENERGY SOLUTIONS WORLDWIDE

For larger applications the BIB Cochran Minster range offers the right combination of performance and integrity for steam users world-wide. The Minster 3 pass wetback design is compliant with European specifications in outputs of up to 21.2 tonnes on a single furnace. BIB Cochran Minsters can be found in distilleries, chemical plants, hospitals, CHP and a host of other applications requiring reliable and flexible steam production. The Minster range comes with a wide range of combustion and control packages, superheater and economiser options.

### Ratings (F&A 100BC):

From 5000 kg/hr to 21200 kg/hr  
(11023 lb/hr to 46738 lb/hr)  
(3134 kW to 13289 kW)

### Standard Working Pressures:

10.34 BAR and 17.2 BAR  
(DESIGNS AVAILABLE UP TO 25 BAR)

### Design concept:

- 3- pass conventional wetback
- Manufactured to B.S. 2790 (or equivalent international standards i.e. EN 12953, PD 2790). Products are normally CE marked
- Robust design and construction for long life
- Total package incorporates combustion equipment, feed water pump and controls, control panel, all necessary valves and fittings

### Quality:

- Procedures are third party audited to ISO 9001; boilers are third party inspected before dispatch

### Efficiencies:

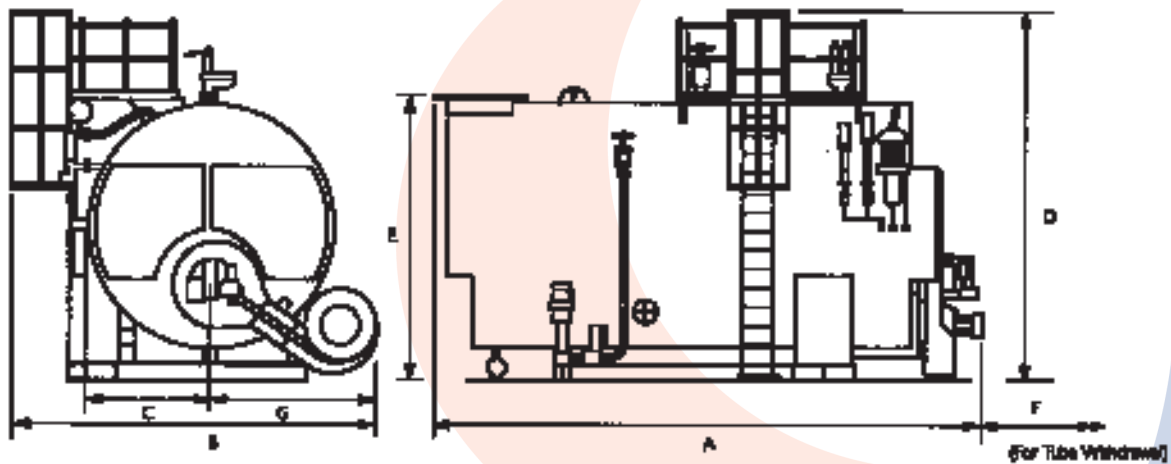
- Typical 88% nett (80% gross) gas firing\*
- Typical 89% nett (83% gross) oil firing\*

\* Efficiencies based upon  
N.C.V. of 34828 kJ/m<sup>3</sup> (gas)  
N.C.V. of 35863 kJ/l (oil)

### Full range of support services available including:

- Turnkey boilerhouse supply
- Installation and project management
- International commissioning & maintenance service
- Full spares support

# BIB Cochran Minster Package Steam Boiler



Contact us for details of sizes above 16,000 kg/hr

Evaporation	kW	3134	3510	3761	3949	4263	4551	4833	5121	5404	5686	6400	7109	8532	9955	
F.&A. 100BC(212BF)	kg/h	5000	5600	6000	6300	6800	7260	7710	8170	8620	9070	10210	11340	13610	15880	
	lb/h	11023	12345	13227	13888	14991	16005	16997	18011	19003	19995	22509	25000	30005	35009	
Dimensions	A	mm	5497	5591	5731	5756	5856	5941	6088	6167	6223	6328	6854	6980	7414	7795
	B	mm	3915	4235	4245	4255	4292	4407	4317	4347	4398	4403	4755	4809	4980	5062
	C	mm	1206	1236	1246	1256	1297	1337	1337	1352	1398	1403	1485	1540	1652	1728
	D	mm	3844	3904	3924	3945	4027	4107	4107	4137	4230	4202	4506	4516	4740	4892
	E	mm	2755	2815	2835	2855	2938	3018	3018	3048	3141	3151	3417	3427	3651	3803
	F	mm	2993	3054	3194	3234	3284	3358	3494	3563	3604	3756	3639	3789	4149	4499
	G	mm	1631	1921	1921	1921	1917	1917	1917	1917	1922	1922	1922	2190	2250	2275
Minimum Transport Width	mm	3006	2799	2819	2840	2921	3001	2986	3031	3123	3133	3300	3409	3632	3766	
Minimum Transport Height	mm	2865	2925	2945	2965	3048	3158	3158	3188	3331	3291	3457	3617	3841	3993	
Recommended Chimney Dia	mm	455	510	510	535	560	560	600	610	635	635	660	710	815	865	
Safety Valve Exhaust Dia.	mm	80	80	80	80	80	80	100	100	100	100	100	100	125	125	
Steam stop Valve Dia.	mm	125	125	125	125	125	150	150	150	150	150	200	200	200	200	
Blow Down Valve Dia.	mm	32	50	50	50	50	50	50	50	50	50	50	50	50	50	
Feed Pump Inlet Dia	mm	32	32	40	40	40	40	40	40	50	40	65	65	65	65	
Boiler Weight-Empty	Tonne	14.2	16.0	16.7	17.1	18.1	18.8	19.5	19.9	21.2	22.2	26.4	28.7	32.0	36.1	
Boiler Weight-To N.W.L.	Tonne	23.3	25.5	26.5	27.1	29.0	30.8	31.5	32.3	34.8	36.0	42.8	46.0	54.8	61.8	
Boiler Weight-Full of Water	Tonne	25.1	27.5	28.5	29.2	31.3	33.3	34.0	35.0	37.7	39.0	46.3	49.9	59.7	67.6	
Fuel Consumption (Oil)	l/h	351.1	392.4	421.3	442.7	477.2	509.1	541.5	572.6	604.1	635.6	714.9	794.6	956.4	1112	
Fuel Consumption (Gas)	m <sup>3</sup> /h	368.0	411.5	441.8	463.8	500.0	533.7	567.4	600.2	632.9	666.6	748.7	832.8	1003.4	1165.1	

## Notes

- 1 Oil Fuel Consumption based on Class D:BS 2869 N.C.V. 35863 kJ/l (15422 BTU/lb)
- 2 Gas Fuel Consumption based on Gas N.C.V. 34828 kJ/m<sup>3</sup> (935 BTU/Ft<sup>3</sup>)
- 3 Fuel Consumptions based on boiler working pressure of 10.34 Bar g
- 4 All Dimensions and weights are approximate based upon boiler working pressure

## A BIB Group Plc Company

Whilst this information is given in good faith no warranty or representation is given concerning such information which must not be taken as establishing any contractual or other commitment binding upon BIB Cochran Limited or any of its subsidiary associated companies.



**BIB Cochran Limited**  
Newbie Works, Annan,  
Dumfries & Galloway,  
Scotland, UK DG12 5QU

**BIB Cochran Limited**  
First Floor, 105 Sadler Road,  
Doddington Road  
Lincoln, UK LN6 3RS

Tel: +44 (0) 1461 202111

Fax: +44 (0) 1461 205511

Email: [enquiries@bibcochran.com](mailto:enquiries@bibcochran.com)

[www.bibcochran.com](http://www.bibcochran.com)