



HS

Type EURO-H 30000S

The EURO-H 30000 S are CE marked, high efficiency condensing gas-fired air heaters with axial fan and fully automatic burner controls. They are designed for indoor use as free blowing space heaters for commercial & industrial premises. They are type "C" appliances whereby the combustion circuit is separated from the room in which the heater is installed. Combustion air & the flue are both ducted to outdoor atmosphere via a balanced flue terminal. A flue gas fan downstream of the burner serves to ventilate the combustion chamber & pressurize the flue.

High efficiency is achieved by firing an atmospheric burner in a conventional heat exchanger and recirculating the products of combustion through a secondary heat exchanger to recover heat from the flue gases. The products are thus cooled to below dew-point to achieve an operating efficiency of 93% on gross calorific value or 103% on the net calorific value of the gas. High efficiency means the pay-back period is fast, providing sounder investment.

3 models of 60, 83 & 107 kW heat output are available in the EURO-H30000 S range. They are the Reznor answer for rational use of energy criteria.

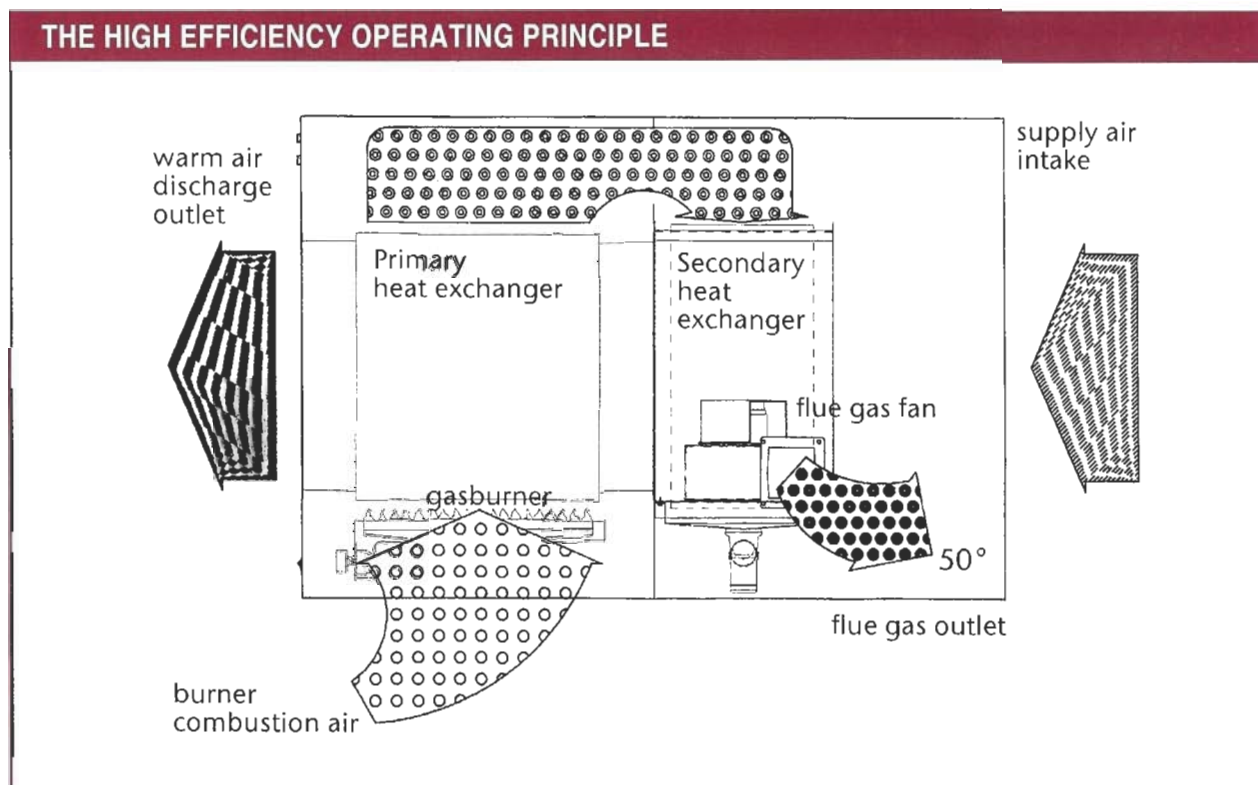
Reznor® *THE NAME FOR WARM AIR*

®

Reznor

Standard version

- Natural gas
- Single stage burner
- Automatic hot surface ignition
- Aluminized steel primary heat exchanger
- Special corrosion resistant alloy secondary heat exchanger
- Adjustable horizontal louvres
- Direct drive axial fan with single phase motor
- Horizontal flue and combustion air connection sockets with gasket seals fitted
- Horizontal condensation drain connection for standard sanitary fittings
- Appliance assembled onto a base frame from which it may be mounted or suspended

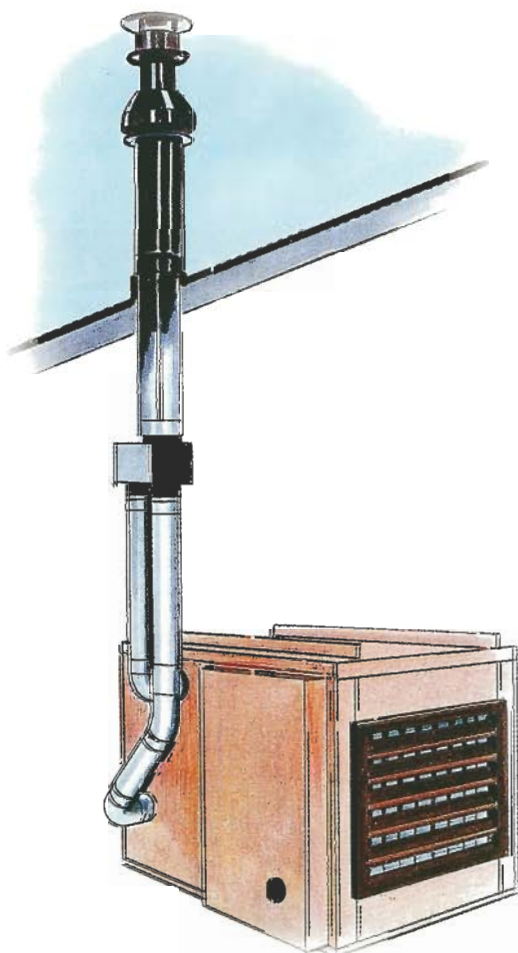


Options and Accessories

- Liquid petroleum gases (LPG)
- 2 stage burner control
- Modulating burner control
- Primary heat exchanger stainless steel grade 409
- Primary heat exchanger stainless steel high grade 316
- 30° down-turn air outlet
- High induction louvre assembly with vertical and horizontal louvres
- Horizontal 2 way air outlet diffuser
- Horizontal or vertical flue/combustion air concentric terminal assembly
- Lower NO_x burner
- Energy management systems and electronic controls

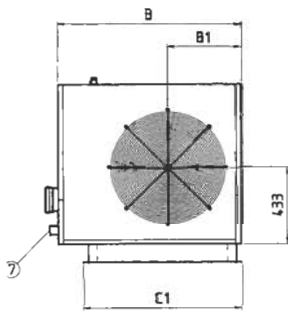
TECHNICAL DATA

Standard model Type EURO-H...		30067 S	30087 S	30107 S	
Model with low NO _x option EURO-H...		35067 S	35087 S	35107 S	
Gas Cat.		II ₂ H ₃ +			
Heat input GCV (Hs)	kW	64,0	89,1	115,5	
Heat input NCV (Hi)	kW	58,0	80,2	104,0	
Heat output normal rate	kW	60,0	83,0	107,0	
Gas consumption	G20 natural gas ¹	m ³ /h	6,11	8,50	11,02
	G30 propane	kg/h	4,70	6,50	8,43
	G31 butane	kg/h	4,60	6,36	8,25
Gas connection ²	Rc	3/4			
Temperature rise Δ T (±1)	K	31	34	33	
Air volume	m ³ /h	5640	7130	9610	
Throw ³	m	34	44	50	
Sound pressure level Lp ⁴	dB(A)	57	57	58	
Electrical service		230/240V 1N - 50 Hz			
Fan motor rating	kW	0,40	0,37	0,56	
Total electrical rating ⁵	kW	0,56	0,63	0,70	
Condensate	pH	4.25			
Condensate volume	ltr/h	3,4	4,5	6,0	
Mounting height ⁶	m	2,75 - 4,0	3,0 - 4,25	3,0 - 4,50	
Net weight	kg	170	210	270	

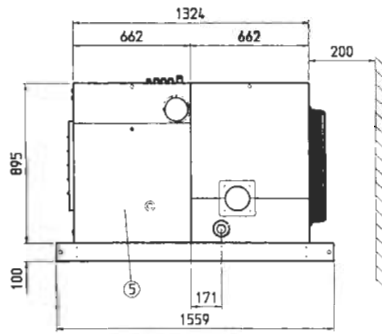


1. Natural gas G20, calorific value 10,48 kWh/m³, 15°C, 1013 mbar
Propane G31, calorific value 14,0 kWh/kg
Butane G30, calorific value 13,7 kWh/kg
2. Not supply line size
3. Isotherm condition, throw decay to 0,5 m/s, discharge louvres zero deflection
4. Typical installation: Q=2, A=160m², distance 5m, discharge louvres zero deflection
5. During start-up period (± 30 sec.) increased by 900 W; not included in these ratings
6. To underside of air heater

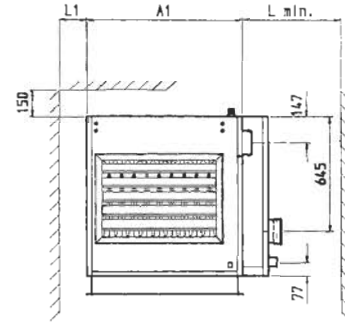
DIMENSIONS



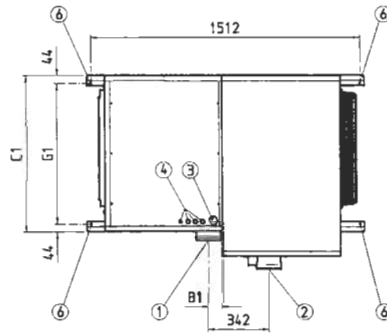
Rear view



Side view



Front view



Top view

Legend

- 1. Combustion air entry socket
Ø 132mm ID
- 2. Flue connection Ø 132mm ID
- 3. Gas connection 3/4"
- 4. Electrical connections
- 5. Service panel
- 6. Suspension hangers Ø 13mm
- 7. Condensation drain
connection Ø 1 1/2" sanitary

	A1	B	B1	C1	G1	L1	Lmin
30067 35067	870	1013	405	874	786	150	900
30087 35087	1080	1223	510	1084	996	300	1100
30107 35107	1360	1503	650	1364	1276	300	1400

Reznor®

