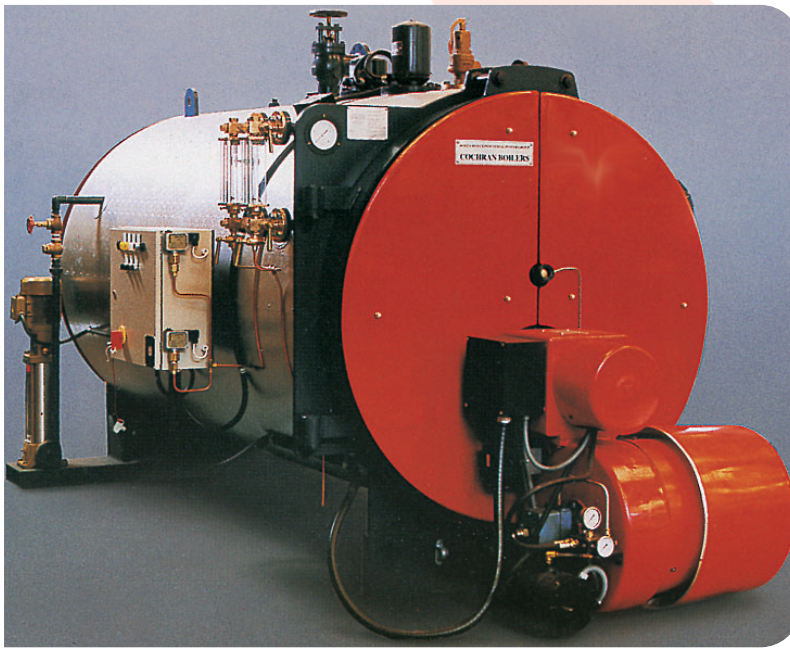




COCHRAN

Beevor Package Steam Boiler



E N E R G Y S O L U T I O N S W O R L D W I D E

The BIB Cochran Beevor features a full wet back design for maximum efficiency. A key element is the boiler's compact design. The small floor area taken by the Beevor makes it ideal for a wide range of applications such as laundries, hotels and small to medium manufacturing sites. The Beevor features a low NO_x, low noise BIB Cochran combustion package as standard with a wide choice of control options.

Ratings (F&A 100BC):

From 50 kg/hr to 6800 kg/hr
(110 lb/hr to 15000 lb/hr)
(31 kW to 4263 kW)

Standard Working Pressures:

6.9 BAR and 10.34 BAR
(DESIGNS AVAILABLE UP TO 20 BAR)

Design concept:

- 3-pass wetback reverse flame
- Manufactured to B.S. 2790 (or equivalent international standards i.e. EN 12953, PD 2790). Products are normally CE marked
- Robust design and construction for long life
- Total package incorporates combustion equipment, feed water pump and controls, control panel, all necessary valves and fittings

Quality:

- Procedures are third party audited to ISO 9001; boilers are third party insurance authority inspected before dispatch

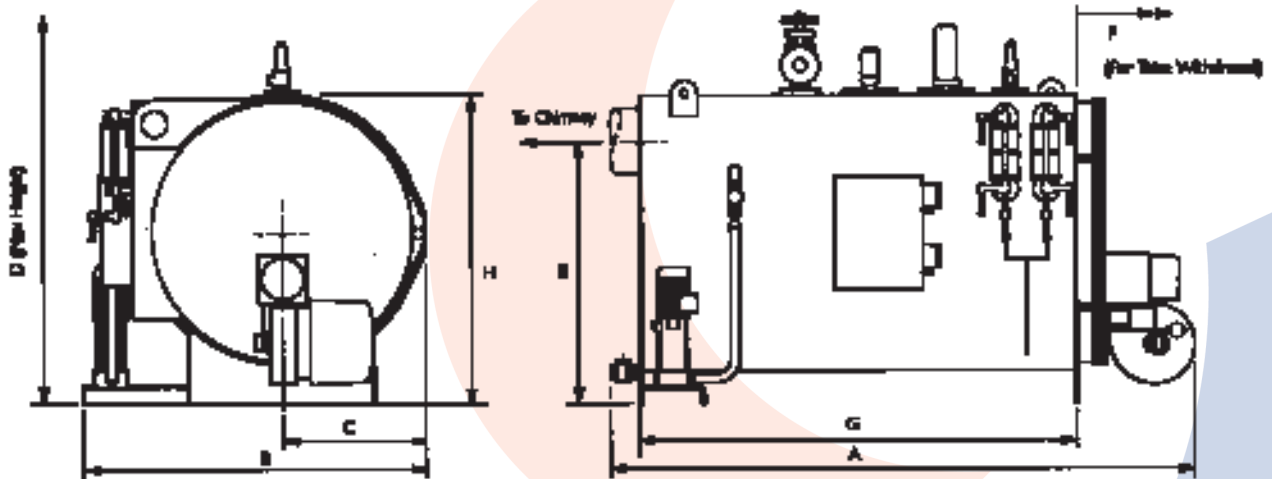
Efficiencies:

- Typical 89% nett gas firing*
 - Typical 90% nett oil firing*
- * Efficiencies based upon
N.C.V. of 34828 kJ/m³ (gas)
N.C.V. of 35863 kJ/l (oil)

Full range of support services available including:

- Turnkey boilerhouse supply
- Installation and project management
- International commissioning & maintenance service
- Full spares support

BIB Beavor Package Steam Boiler



Evaporation	kW	284	357	427	570	714	853	995	1137	1422	1706	2275	2844	3134	3510	3761	3949	4263	
F&A. 100BC(212BF)	kg/h	455	570	680	910	1140	1360	1588	1815	2268	2720	3630	4535	5000	5600	6000	6300	6800	
	lb/h	1000	1255	1500	2005	2510	3000	3500	4000	5000	6000	8000	10000	11025	12348	13230	13891	14994	
Dimensions	(Oil)	A mm	2885	3085	3085	3185	3285	3335	3385	3435	3908	3223	4478	4765	4961	4951	4731	4968	5168
		(Gas) A mm	2753	2953	2953	3205	3305	3547	3619	3669	4129	3460	4773	4873	5069	5059	4942	4968	5168
	B mm	1423	1505	1500	1540	1660	1633	1678	1760	1828	1955	2155	2403	2487	2496	2599	2575	2598	
	C mm	580	580	595	615	675	675	688	725	760	805	905	1010	1055	1064	1125	1099	1124	
	D mm	1774	1774	1804	1862	2062	2116	2141	2216	2330	2420	2698	2908	3054	3073	3195	3273	3138	
	E mm	1168	1159	1180	1208	1395	1383	1395	1465	1528	1593	1768	1960	2042	2056	2170	2241	2096	
	F mm	1465	1665	1665	1765	1865	2065	2115	2165	2625	1940	3195	3295	3491	3481	3545	3571	3771	
	G mm	1610	1810	1810	1910	2010	2210	2260	2310	2770	2085	3340	3440	3636	3626	3690	3716	3916	
	H mm	1483	1438	1468	1508	1708	1708	1733	1808	1878	1968	2168	2378	2467	2486	2608	2686	2551	
	Recommended Chimney Dia.	mm	145	162	180	205	230	255	280	290	305	355	405	440	455	465	480	495	515
Safety Valve Exhaust Dia.	BSP/mm	32	32	32	32	32	40	40	40	40	50	65	65	80	80	80	80	80	
Steam Stop Valve Dia.	BSP/mm	40	40	40	50	50	65	65	65	80	80	100	100	125	125	125	125	125	
Blow Down Valve Dia.	mm	25	25	25	25	25	25	25	25	25	25	25	25	25	50	50	50	50	
Feed Pump Inlet Dia.	mm	25	25	25	25	25	25	25	25	25	32	32	32	32	32	40	40	40	
Fuel Consumption (Oil)	l/h	32.0	40.0	47.7	64.3	80.5	96.3	112.5	128.2	159.8	193.4	258.2	323.4	354.5	394.1	420.5	440.5	478.4	
Fuel Consumption (Gas)	m³/h	32.1	40.0	47.4	64.2	80.5	96.3	112.6	128.4	159.6	193.5	258.6	324.2	354.9	393.5	419.6	439.1	477.7	
Boiler Weight-Empty	Tonne	1.76	1.86	2.04	2.36	2.77	2.99	3.35	3.75	4.47	5.59	7.65	9.08	11.77	13.04	15.06	15.95	16.62	
Boiler Weight-To N.W.L.	Tonne	2.49	2.64	2.86	3.25	3.93	4.20	4.61	5.22	6.45	7.96	10.98	13.28	18.83	21.51	25.03	26.91	27.51	
Boiler Weight-Full of Water	Tonne	2.64	2.81	3.05	3.46	4.20	4.50	4.93	5.59	6.94	8.59	11.88	14.60	21.03	24.35	28.53	30.71	32.18	

Notes

- 1 Oil Fuel Consumption based on Class D:BS 2869 N.C.V.35863 kJ/l (15422 BTU/lb)
- 2 Gas Fuel Consumption based on Gas N.C.V.34828 kJ/m³ (935 BTU/Ft³)
- 3 All Dimensions and weights are approximate only based on boiler working pressure of 10.34 Bar g
- 4 Fuel Consumptions based on boiler working pressure of 10.34 Bar g

A BIB Group Plc Company

Whilst this information is given in good faith no warranty or representation is given concerning such information which must not be taken as establishing any contractual or other commitment binding upon BIB Cochrane Limited or any of its subsidiary or associated companies.



BIB Cochrane Limited
Newbie Works, Annan,
Dumfries & Galloway,
Scotland, UK DG12 5QU

BIB Cochrane Limited
First Floor, 105 Sadler Road,
Doddington Road
Lincoln, UK LN6 3RS

Tel: +44 (0) 1461 202111
Fax: +44 (0) 1461 205511
Email: enquiries@bibcochrane.com
www.bibcochrane.com